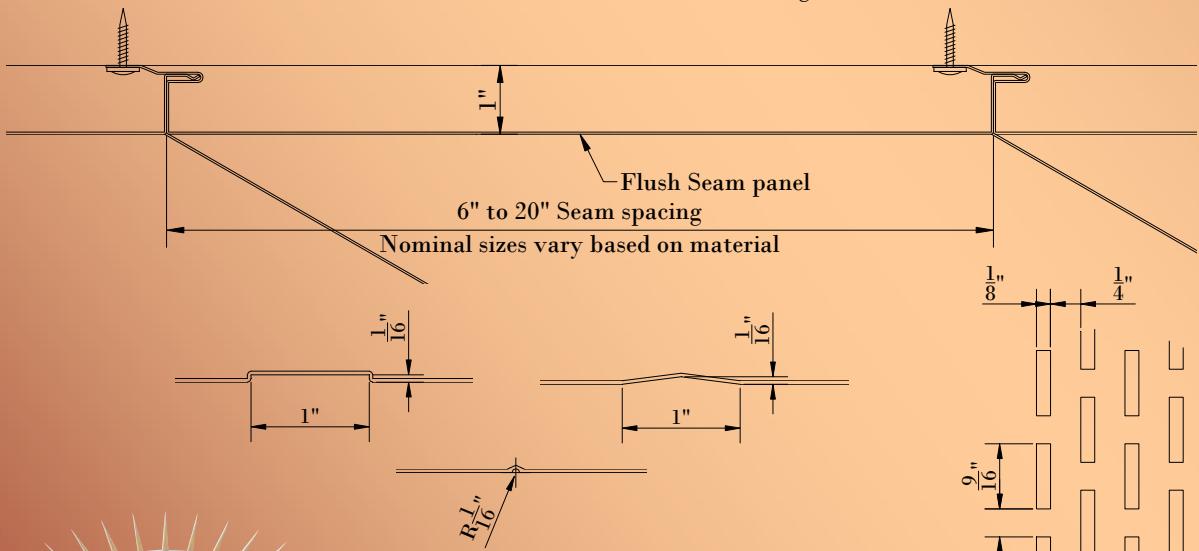


MG F-SEAM

MG F-SEAM Panels have an interlocking slip connection and are mechanically fastened with concealed fasteners to form a flush, hairline joint. The panels are installed in a sequential pattern, overlapped and sealed as required to form a watertight system. Additional size and material options are available. Please contact M.G. McGrath, Inc. for information.

- **Materials**
 - Steel - 22 to 26 gauge
 - Stainless Steel - 24 and 26 gauge
 - Aluminum - .032" and .040"
 - Copper - 16, 20 & 24 oz
 - Zinc - .7mm, .8mm
 - Titanium - 26 gauge
- **Sizes**
 - Seam Spacing - 6" to 20"
 - Length - 6" to 50'
 - * Nominal sizes vary based on material
- **Finishes**
 - A full line of finishes are available
 - Finish warranty available
- **Features**
 - Interlocking slip connection
 - Architectural Ribs (optional)
 - Venting pattern (optional)
 - Can be installed horizontally or vertically
- **Limitations**
 - Cannot be radiused
 - Cannot be tapered
 - Size limitations
- **Technical Information**
 - ASTM E283 air infiltration
 - ASTM E330-90 structural performance
 - ASTM E331 water penetration
 - * Specification are dependent upon conditions
- **Notes**
 - Light gauge material can cause oil canning
 - Pre-finished material will craze at bends
 - Flashing & accessories available



Architectural Rib options

Soffit Vent Pattern



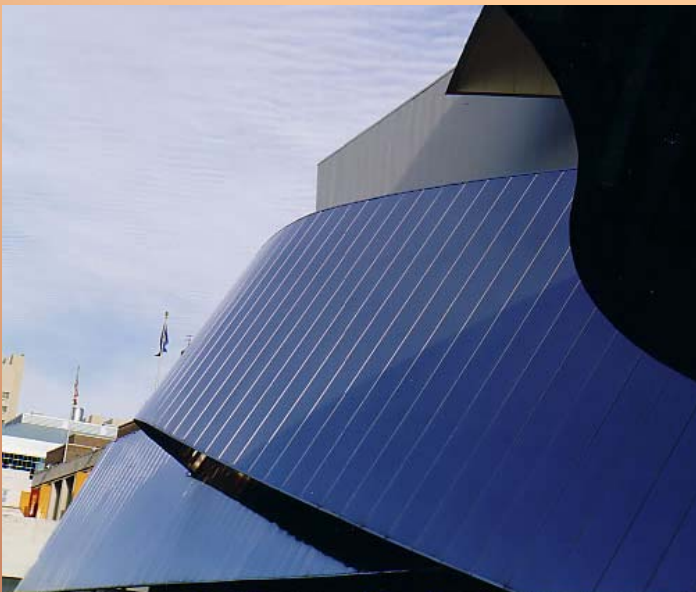
1387 EAST COPE AVENUE • MAPLEWOOD, MN 55109
 PHONE 651.704.0300 • FAX 651.704.9989 •

MG F-SEAM

The MG F-SEAM Panel offers a smooth flat appearance for vertical or horizontal applications. The architectural rib option stiffens the panel to reduce oil canning. The panels are formed continuous and the flush hairline joint offers a clean appearance. The panels are available in a wide variety of materials and colors to meet your needs. Please contact M.G. McGrath for more detailed information regarding your project.



TCF Bank Stadium
22 ga. Silver Metallic



Weismann Art Museum
24 Gauge Stainless Steel

WMEP Downtown Minneapolis
Rheinzink



1387 EAST COPE AVENUE • MAPLEWOOD, MN 55109
PHONE 651.704.0300 • FAX 651.704.9989 •

July 2010